
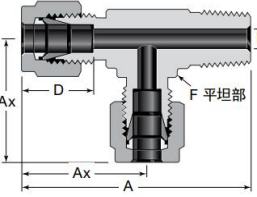


MALE RUN TEE

	Order Number	Outer Diameter	size				
			A	Ax	D	E	F
 	MALE RUN TEE						
	Inch						
	SS-MRT-2-2	1/8"X1/8"X1/8"	1.63	0.93	0.50	0.09	7/16
	SS-MRT-2-4	1/8"X1/4"X1/8"	1.89	0.97	0.50	0.09	1/2
	SS-MRT-3-2	3/16"X1/8"X3/16"	1.66	0.96	0.54	0.12	7/16
	SS-MRT-4-2	1/4"X1/8"X1/4"	1.80	1.06	0.60	0.19	1/2
	SS-MRT-4-4	1/4"X1/4"X1/4"	1.98	1.06	0.60	0.19	1/2
	SS-MRT-5-2	5/16"X1/8"X5/16"	1.99	1.17	0.64	0.19	5/8
	SS-MRT-6-4	3/8"X1/4"X3/8"	2.20	1.20	0.66	0.28	5/8
	SS-MRT-6-6	3/8"X3/8"X3/8"	2.42	1.31	0.66	0.28	13/16
	SS-MRT-8-6	1/2"X3/8"X1/2"	2.53	1.42	0.90	0.38	13/16
	SS-MRT-8-8	1/2"X1/2"X1/2"	2.72	1.42	0.90	0.41	13/16
	SS-MRT-10-8	5/8"X1/2"X5/8"	2.88	1.50	0.96	0.47	15/16
	SS-MRT-12-12	3/4"X3/4"X3/4"	3.02	1.57	0.96	0.62	1 1/16
	Metric						
	SS-MRT-6M-2	6mmX1/8"X6mm	45.8	27.0	15.3	4.8	1/2
	SS-MRT-6M-4	6mmX1/4"X6mm	50.3	27.0	15.3	4.8	1/2
	SS-MRT-8M-4	8mmX1/4"X8mm	55.3	29.9	16.2	6.4	5/8
	SS-MRT-12M-4	12mmX1/4"X12mm	64.2	36.0	22.8	7.1	13/16
	SS-MRT-12M-8	12mmX1/2"X12mm	69.0	36.0	22.8	9.5	13/16
SS-MRT-16M-8	16mm"X1/2"X16mm	73.1	38.0	24.4	11.9	15/16	

For more information, please contact us
 Add: 221 Haikou Road, Qingdao,
 China Tel:+86-532-85930025
 Email: info@maxwill-ind.com
<https://www.maxwill-ind.com/>