
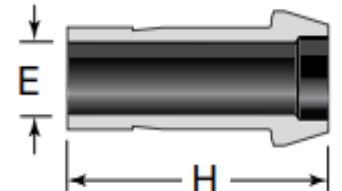


Port Connector

	Order Number	Outer Diameter	size	
			E	H
 	Port Connector			
	Inch			
	SS-PC-2	1/8"	0.08	0.88
	SS-PC-4	1/4"	0.17	0.98
	SS-PC-5	5/16"	0.22	1.02
	SS-PC-6	3/8"	0.27	1.05
	SS-PC-8	1/2"	0.37	1.43
	SS-PC-10	5/8"	0.47	1.49
	SS-PC-12	3/4"	0.58	1.49
	SS-PC-16	1"	0.80	1.94
	Metric			
	SS-PC-3M	3mm	1.9	22.2
	SS-PC-6M	6mm	4.1	25.0
	SS-PC-8M	8mm	5.6	26.0
	SS-PC-10M	10mm	7.1	27.1
	SS-PC-12M	12mm	8.8	36.2
	SS-PC-15M	15mm	11.2	37.8
	SS-PC-16M	16mm	12.0	37.8
	SS-PC-18M	18mm	13.9	37.8
	SS-PC-20M	20mm	15.5	39.4
SS-PC-25M	25mm	19.9	49.3	

For more information, please contact us
 Add: 221 Haikou Road, Qingdao,
 China Tel:+86-532-85930025
 Email: info@maxwill-ind.com
<https://www.maxwill-ind.com/>