
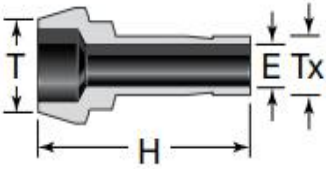


Reducing Port Connector

 	Order Number	Outer Diameter	size	
			E	H
Reducing Port Connector				
Inch				
	SS-PC-4-2	1/4" x 1/8"	0.08	0.90
	SS-PC-6-2 SS-PC-6-4	3/8" x 1/8" 3/8" x 1/4"	0.08 0.17	0.92 1.00
	SS-PC-8-4 SS-PC-8-6	1/2" x 1/4" 1/2" x 3/8"	0.17 0.27	1.17 1.21
	SS-PC-12-8	3/4" x 1/2"	0.37	1.49
	SS-PC-16-8 SS-PC-16-12	1" x 1/2" 1" x 3/4"	0.37 0.58	1.69 1.72
Metric				
	SS-PC-6M-3M	6mm-3mm	1.9	22.9
	SS-PC-8M-6M	8mm-6mm	4.1	25.4
	SS-PC-10M-6M SS-PC-10M-8M	10mm-6mm 10mm-8mm	4.1 5.6	25.8 26.3
	SS-PC-12M-6M SS-PC-12M-8M SS-PC-12M-10M	12mm-6mm 12mm-8mm 12mm-10mm	4.1 5.6 7.1	29.6 30.1 30.6
	SS-PC-16M-12M	16mm-12mm	8.8	37.5

For more information, please contact us
 Add: 221 Haikou Road, Qingdao,
 China Tel:+86-532-85930025
 Email: info@maxwill-ind.com
<https://www.maxwill-ind.com/>